

 **nuova  
SIMONELLI®**  
The coffee machines you can trust.



**APPIA**  
*Life.*



ENG

*Coffee machines for life.*





Life.



Coffee machines for life.



# APPIA *Life.*

APPIA LIFE XT  
2 GROUPS



APPIA LIFE XT  
3 GROUPS



*The family expands*

**XT** SERIES

APPRIA LIFE COMPACT  
2 GROUPS



APPRIA LIFE  
3 GROUPS



APPRIA LIFE  
1 GROUPS



STANDARD SERIES

# APPIA LIFE A GUARANTEE FOR SUCCESS

Appia Life is created based on the success of the Appia.

With its high productivity and high performance, this machine is appreciated by thousands of baristas worldwide.

The continuous studying and researching of the Nuova Simonelli team regarding the Appia Life, made possible the creation of a superb machine; even more comfortable for the barista with even simpler maintenance compared to the previous Appia.

Appia Life has been studied for those who want a simple and trustworthy machine. It is the perfect coffee maker for large companies, coffee shop chains or wherever there is a need to prepare an abundance of great coffee.

Simple and innovative. Appia life stands out, not only for its proven reliability but also for the modern style that makes it unique.

On top of this, now Appia Life was designed to save energy, sustain the environment, and be cost-effective.

Appia Life is now also available with a display in the XT version.

*High productivity  
and more  
sustainable* →



*simple and... innovative*



**ENERGY  
SAVING  
& COST-  
EFFECTIVE**







#### INSULATION

The boiler of the Appia Life has DRYTEX THERMICAL technology insulation that

**reduces 13%\***

of energy consumption compared to the Appia II, and it comes as standard series in the whole range of the machine.



#### CONSUMPTION

Appia Life guarantees a

**20% reduction**

in energy consumption and environmental impact. The Life Cycle Assessment\*\* analysis confirms that the Appia Life with its new thermal system, new materials, and general optimization of the mechanical components, has **20%** less environmental impact compared to the Appia II.

# Life.

\* value calculated on Appia Life vs Appia II benchmark

\*\* Life Cycle Assessment is a structured and standardized method used worldwide that quantifies the potential impacts on the environment and human health associated with the use of a product, starting with respecting resources and emissions.

Life.





# APPIA LIFE: PRODUCTIVITY AND CONSISTENCY



## HIGH PRODUCTIVITY

Appia Life is able to prepare up to **250** cappuccinos\* on daily basis.



## MACHINE CONSISTENCY. BECAUSE EVERY CUP COUNTS.

The machine consistency is based on the following technology:

- **SIS – SOFT INFUSION SYSTEM**

SIS guarantees a soft infusion allowing a consistent result, it compensates for any incorrect coffee tamping and it avoids the channelling effect.

- **EASYCREAM**

It allows the quick and automatic making of a dense and velvety milk cream. The nozzles thermal insulation allows this component to be safe, reliable and hygienic.

\*Data: Appia Life 2groups volumetric

# APPRIA *Life.*

XT SERIES

## EVEN MORE ADVANCED

The new XT version completes the Appria Life machines family, available in 2 and 3 groups in the volumetric version (5 dispensing keys per group).

The performance remains unchanged compared to the 2 and 3 group Appria Life models, but the Appria Life XT has evolved in the form and in the innovative details that improve the final results.



# TFT DISPLAY FEATURES



## DOSE PROGRAM

It allows programming the dose for each group.



## CLEANING

It allows scheduling the group cleaning and set up the alarm.



## COUNTERS

It's possible to see how many times each group dispensed coffee.



## DISPLAY AND BUTTONS

It's possible to adjust the brightness of the buttons and display.



## SETTINGS

It allows the setting of standard functions and it provides information about the software and connection.



# GREAT COMFORT MEANS HAPPY BARISTAS

*Happy barista means greater productivity.*

Appia Life makes productivity even more efficient thanks to its ergonomic style, improving the service speed and assisting the barista in day-to-day performances.



## REVERSE MIRROR

This feature allows the barista to check the coffee dripping and cleanliness of the filter holder from a much more comfortable position.



## ALIGNED CUP WARMER

The cup warmer is aligned with the top of the machine. Thanks to this feature, the user has an easier reach and speeds up the working process.



## PUSH BUTTON PANEL

The push-button panel has been re-created to be user friendly and more resistant in the long run.



## EASY MAINTENANCE

Appia Life has been designed to be more efficient when it come to maintenance. The complete new style of the machine facilitates the user in any operations routine. Its new adjustable nozzle attachment, new side opening system and redesigned groups, are all features that allow it to be majorly efficient.



# NO ONE HAS EVER GIVEN YOU SO MUCH FOR THE SAME VALUE AS APPIA LIFE

Appia Life is available with 2 groups as "Semi-automatic" and "Volumetric", which has useful functions including the practical "automatic wash".

SEMI-AUTOMATIC

VOLUMETRIC





←  
*redesigned  
and enhanced*

## NEW DESIGN

Even more compact, the Appia Life empowers a stronger connection between machine and barista. The new stylish design allows the coffee machine to be suitable for any arrangement.

With the edition of two chrome bands wrapped around the rear panel, the machine radiates a serene fascination.



RAISED GROUP ☕ 🍵 🍶 ☕



LOW GROUP ☕



SINGLE GROUP ☕



COMPACT ↘ ↙



ALIGNED  
CUP WARMER

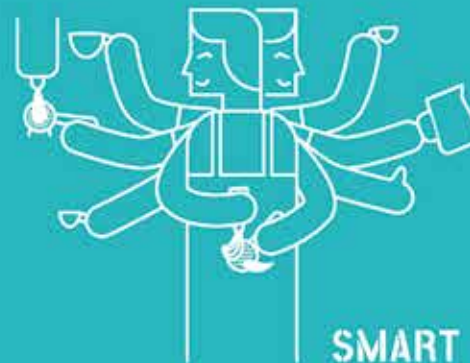
STAINLESS STEEL  
STEAM WAND



ENERGY  
EFFICIENCY



LONG  
LASTING  
MACHINE



SMART

# FUNCTIONAL ASPECTS

Appia Life has all the great features of the previous Appia, only better: push & pull levers, soft-touch portafilter, stainless steel drip tray, adjustable steel nozzles, the wide work surface, the water level indicator, the dual scale pressure gauge and the raised or standard height groups are all re-confirmed features of this incredible machine.

The remote control function is one of the newest features of the Appia Life. It helps the user control and manage the machine from a remote device.



PUSH & PULL  
LEVERS

AUTOMATIC  
CLEANING

DIGITAL  
CONTROL



REMOTE  
CONTROLLED

RAISED OR LOW  
GROUP



EASY  
CREAM  
SYSTEM



DELICIOUS  
COFFEE



TOUGH



USER  
FRIENDLY

REVERSE  
MIRROR





**X T** SERIES





STANDARD SERIES



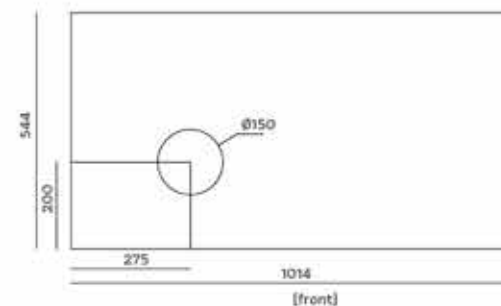
## XT SERIES



VERSION		XT 2 GROUPS	XT 3 GROUPS
MODEL		Volumetric	Volumetric
BODY	MATERIAL	stainlesssteel with ABS	stainlesssteel with ABS
BOILER	TOTAL CAPACITY	11lit	15lit
	INSULATION	included	included
	PRESSURE SENSORS	included	included
GROUP	RAISED GROUPS	optional	optional
	LED LIGHTS	included	included
STEAM	EASYCREAM	optional	optional
	COOL TOUCH STEAM WAND	optional	optional
HOT WATER	N. WAND	!	!
	ECONOMIZER	optional	optional
CUPWARMER	ON/OFF ELECTRIC	optional	optional
RAIL		optional	optional
REMOTE CONTROL		optional	optional
DISPLAY		included	included
DIMENSION	W x D x H mm	784 x 545 x 498	1014 x 545 x 498
WEIGHT	NET/GROS KG	54/66	72/85
POWER	VOLTAGE	220-240V 50-60Hz 380-415V V3N	220-240V 50-60Hz 380-415V V3N
	MAXIMUM POWER	3350	5400

## TECHNICAL SPECIFICATIONS, COLOURS AND DIMENSIONS

In addition to the "standard" version with side panels and black base, Appia Life is also available in White Pearl and Heart Red, with chrome profiling.



Hole size and distance  
3 GROUPS

# S

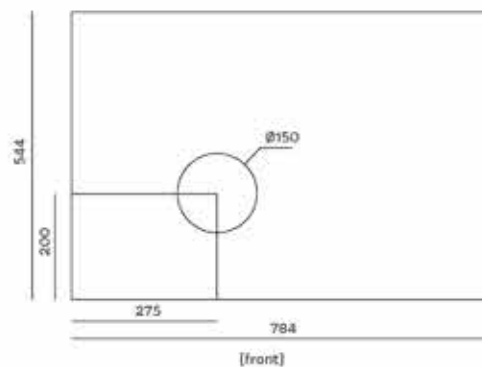
STANDARD  
SERIES



## TECHNICAL SPECIFICATIONS, COLOURS AND DIMENSIONS

In addition to the "standard" version with side panels and black base, Appia Life is also available in White Pearl and Heart Red, with chrome profiling.

Hole size and distance  
2 GROUPS



VERSION		2 GROUPS		3 GROUPS	
MODEL		Semi-automatic	Volumetric	Semi-automatic	Volumetric
BODY	MATERIAL	stainlesssteel with ABS	stainlesssteel with ABS	stainlesssteel with ABS	stainlesssteel with ABS
BOILER	TOTAL CAPACITY	11lt	11lt	15lt	15lt
	INSULATION	included	included	included	included
GROUP	RAISED GROUPS	optional	optional	optional	optional
STEAM	EASYCREAM		optional		optional
	COOL TOUCH STEAM WAND	optional	optional	optional	optional
HOT WATER	N. WAND	1	1	1	1
	ECONOMIZER	optional	optional	optional	optional
CUPWARMER	ON/OFF ELECTRIC		optional		optional
RAIL		optional	optional	optional	optional
REMOTE CONTROL			optional		optional
DIMENSION	W x D x H mm	784 x 544 x 500	784 x 544 x 500	1014 x 544 x 500	1014 x 544 x 500
WEIGHT	NET/GROS KG	54/66	54/66	72/85	72/85
POWER	VOLTAGE	220-240V 50-60Hz 380-415V V3N	220-240V 50-60Hz 380-415V V3N	220-240V 50-60Hz 380-415V V3N	220-240V 50-60Hz 380-415V V3N
	MAXIMUM POWER	3350	3350	5400	5400

# S

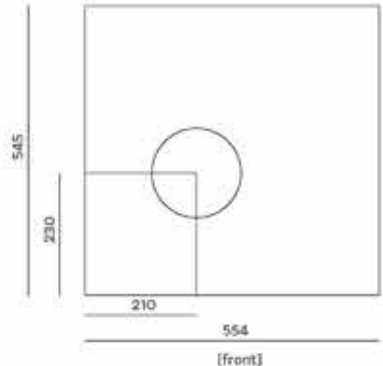
STANDARD  
SERIES



## TECHNICAL SPECIFICATIONS, COLOURS AND DIMENSIONS

In addition to the "standard" version with side panels and black base, Appia Life is also available in White Pearl and Heart Red, with chrome profiling.

Hole size and distance COMPACT



VERSION		COMPACT	
MODEL		Semi-automatic	Volumetric
BODY	MATERIAL	stainless steel with ABS	stainless steel with ABS
BOILER	TOTAL CAPACITY	7.5lt	7.5lt
	INSULATION	included	included
GROUP	RAISED GROUPS	optional	optional
STEAM	EASYCREAM		optional
	COOL TOUCH STEAM WAND	optional	optional
HOT WATER	N. WAND	1	1
	ECONOMIZER	optional	optional
CUPWARMER	ON/OFF ELECTRIC	optional	optional
REMOTE CONTROL			optional
DIMENSION	W x D x H mm	554 x 545 x 498	554 x 545 x 498
WEIGHT	NET/GROS KG	42.5/52.5	42.5/52.5
POWER	VOLTAGE	220-240 V. 50-60Hz	220-240 V. 50-60Hz
	MAXIMUM POWER	2900	2900



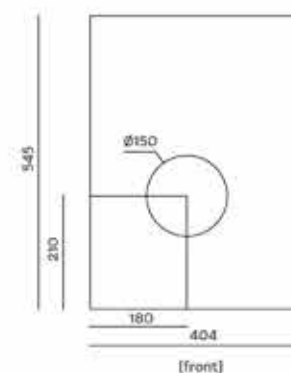
# STANDARD SERIES



VERSION		1 GROUP	
MODEL		Semi-automatic	Volumetric
BODY	MATERIAL	stainless steel with ABS	stainless steel with ABS
BOILER	TOTAL CAPACITY	5lt	5lt
	INSULATION	included	included
GROUP	RAISED GROUPS	included	included
STEAM	EASYCREAM		optional
	COOL TOUCH STEAM WAND	optional	optional
HOT WATER	N. WAND	1	1
	ECONOMIZER	optional	optional
REMOTE CONTROL			optional
DIMENSION	W x D x H mm	404 x 545 x 498	404 x 545 x 498
WEIGHT	NET/GROS KG	32,5/41	32,5/41
POWER	VOLTAGE	220-240 V 50-60Hz	220-240 V 50-60Hz
	MAXIMUM POWER	1900	1900

## TECHNICAL SPECIFICATIONS, COLOURS AND DIMENSIONS

In addition to the "standard" version with side panels and black base, Appia Life is also available in White Pearl and Heart Red, with chrome profiling.



Hole size and distance  
SINGLE GROUP

**APPIA**  
*Life.*

APPIA LIFE XT  
3 GROUPS



VOLUMETRIC

APPIA LIFE XT  
2 GROUPS



VOLUMETRIC

**COMPARISON  
SHEET**

VERSION		XT 3 GROUPS	XT 2 GROUPS
MODEL		Volumetric	Volumetric
BODY	MATERIAL	stainless steel with ABS	stainless steel with ABS
BOILER	TOTAL CAPACITY	15lt	11lt
	INSULATION	included	included
	PRESSURE SENSORS	included	included
GROUP	RAISED GROUPS	optional	optional
	LED LIGHTS	included	included
STEAM	EASYCREAM	optional	optional
	COOL TOUCH STEAM WAND	optional	optional
HOT WATER	N. WAND	1	1
	ECONOMIZER	optional	optional
CUPWARMER	ON/OFF ELECTRIC	optional	optional
RAIL		optional	optional
REMOTE CONTROL		optional	optional
DISPLAY		included	included
DIMENSION	WXDXH MM	1014x545x498	784x545x498
WEIGHT	NET/GROS KG	72/85	54/66
POWER	VOLTAGE	220-240V 50-60Hz 380-415V V3N	220-240V 50-60Hz 380-415V V3N
	MAXIMUM POWER	5400	3350

APPIA LIFE  
3 GROUPS



SEMI-AUTOMATIC  
VOLUMETRIC

APPIA LIFE  
2 GROUPS



SEMI-AUTOMATIC  
VOLUMETRIC

APPIA LIFE COMPACT  
2 GROUPS



SEMI-AUTOMATIC  
VOLUMETRIC

APPIA LIFE  
1 GROUP



SEMI-AUTOMATIC  
VOLUMETRIC

VERSION		3 GROUPS		2 GROUPS		COMPACT		1 GROUP	
MODEL		Semi-automatic	Volumetric	Semi-automatic	Volumetric	Semi-automatic	Volumetric	Semi-automatic	Volumetric
BODY	MATERIAL	stainless steel with ABS	stainless steel with ABS	stainless steel with ABS	stainless steel with ABS	stainless steel with ABS	stainless steel with ABS	stainless steel with ABS	stainless steel with ABS
	BOILER	TOTAL CAPACITY	15lt	15lt	11lt	11lt	7,5lt	7,5lt	5lt
	INSULATION	included	included	included	included	included	included	included	included
GROUP	RAISED GROUPS	optional	optional	optional	optional	optional	optional	included	included
STEAM	EASYCREAM		optional		optional		optional		optional
HOT WATER	N. WAND	1	1	1	1	1	1	1	1
	ECONOMIZER	optional	optional	optional	optional	optional	optional	optional	optional
CUPWARMER	ON/OFF ELECTRIC		optional		optional		optional		optional
RAIL		optional	optional	optional	optional				
REMOTE CONTROL			optional		optional		optional		optional
DIMENSION	WXDXH MM	1014x544x500	1014x544x500	784x544x500	784x544x500	554x545x498	554x545x498	404x345x498	404x345x498
WEIGHT	NET/GROS KG	72/85	72/85	54/66	54/66	42,5/52,5	42,5/52,5	32,5/41	32,5/41
POWER	VOLTAGE	220-240V 50 - 60Hz 380-415V V3N	220-240V 50 - 60Hz 380-415V V3N	220-240V 50 - 60Hz 380-415V V3N	220-240V 50 - 60Hz 380-415V V3N	220-240 V 50-60Hz	220-240 V 50-60Hz	220-240 V 50-60Hz	220-240 V 50-60Hz
	MAXIMUM POWER	5400	5400	3350	3350	2900	2900	1900	1900

**APPRIA**  
*Life.*

*Coffee machines for life.*









**ITALY**

Simonelli Group  
Via E. Betti, 1  
62020 Belforte del Chienti  
Macerata - Italy  
T +39 0733 9501  
F +39 0733 950242  
info@simonelligroup.it  
www.simonelligroup.it

**USA**

Nuova Distribution Usa  
6940 Salashan Pkwy, Bldg, A  
Ferndale, WA 98248  
T +1 360 366 2226  
F +1 360 366 4015  
info@simonelliusa.com  
www.simonelliusa.com

**SINGAPORE**

Simonelli Group Asia Pacific Pte Ltd  
380 Jalan Besar  
#06-03-04, ARC 380,  
Singapore 209000  
T +65 68410985  
www.nuovasimonelliasiapacific.com

**FRANCE**

Nuova Distribution France  
Hexapole - Actipole - Bat 5  
Rue Maurice Herzog  
73420 Viviers Du Lac  
T +33 (0) 9 67894852  
F +33 (0) 4 79544852  
info@nuovadistribution.fr





AURELIA WAVE  
UX



**nuova**  
**SIMONELLI**

A NEVER-ENDING PROMISE

## The coffee machine you can trust.

We're strong, determined, precise. We leave nothing to chance.  
Our strength is to produce coffee machines that are always  
technically perfect. Making them totally reliable.

You can count on a **Nuova Simonelli**.

**nuova**  
**SIMONELLI**  
The coffee machines you can trust.

## AURELIA WAVE UX

The most important added value for coffee chains: a fluid and harmonious workflow and consistent widespread quality at any time of the day.



### > Flexibility

Each group on the machine is independent and can be set to all the necessary parameters. Complexity and synchronization of recipes can be fully managed throughout the menu, whatever the execution (milk, coffee, filtered, tea...)



### > Productivity and consistency

Whoever is operating the machine, consistency of service is always ensured. Once the recipe parameters have been set, service can be provided smoothly and without complications. Steady quality and high productivity are always guaranteed.



### > Ease of use

High-performance technology made simple for the operator. Intuitive programming. Logic. Simple to teach. Simple to learn. Simplicity at hand expresses the ergonomic vision and design of the machine.



# The workflow optimizer.

AURELIA WAVE UX





ITS MAKES THE DIFFERENCE

Maximum flexibility of recipe preparation.

## Independent Temperature Setting.

Technology made easy and flexible to provide full customer satisfaction and consistency of service.

> The new engineering focuses on a **single boiler heating system and a thermostatic mixer** with electronically heated group head, that stabilizes the temperature with low installed power and low technological complexity of a multiboiler system.

At the same time, the new **ITS technology** ensures autonomous thermal setting of each

group, empowering fluid handling for the machine operator and enhancing the value of work through an amazingly full experience for customers.

Once the temperature has been set on each group, the operator's job is automated: the machine manages the rest, ensuring steady temperature right to the end of the process.



# Increasing productivity. Maintaining consistency.

Whatever the intensity of service, the quality of the recipes always stays the same.

➤ Whether it is the first or the last serve of the shift, whether it is a quiet or hyper-productive day, the consistency of service never varies.

One of the main strengths of a coffee chain is fulfilling the same promise of taste every time.

With AURELIA WAVE UX, the result is always guaranteed, whatever type of day it is.

Thanks to the new ITS technology, all the recipes in the coffee chain's menu can be set and managed with total flexibility.



# Easy Cream.

Multiple milk recipes. Quickly and easily.

➤ Absolute consistency of result is the greatest end benefit of **Easy Cream**. This technology allows multiple milk recipes to be prepared in a moment. Speed and fluidity of service. Two settings for each wand and up to two automatic milk wands mounted on the machine.

The management of milk-based recipes becomes a smooth and simply integrated operation within the service. Parameters are set only once and this drives the service towards maximum consistency and quality.

Time saving is a great end benefit too. While the Easy Cream wand is mounting the milk, the barista can grind coffee beans and brew the coffee shot to be mixed with the milk. Time saving equals higher productivity and less complexity.



An intuitive machine designed  
for high shift rotation environments.

# Simplicity of use and quick learning are the keys to a great result.

- > For coffee chains, fluidity is a must. **Immediate and intuitive programming and simplification of the setting logic** are the pillars of our technology, ensuring a satisfying experience for the operator on duty. Also, the ergonomics of the machine guarantees smoothness of workflow.

Rapid staff training is another key point to underline. Intuitiveness is a fundamental feature of the machine, ensuring immediate learning and shorter apprenticeship.



# Designed around the barista.

Matching technical performance with human satisfaction.



- > Optimizing the workflow means above all ensuring best results for workers, from the beginning to the end of the day.

**AURELIA WAVE UX** is designed with ergonomic criteria, from the push & pull arm to the Cool Touch wand, from the reverse mirror to the aligned cup warmer. It considers ease of use and programming as well as the design of shape and spaces.

This ensures less physical stress and maximum comfort.



## A new approach heading to low impact, low consumption and high revenue.

- **AURELIA WAVE UX** is equipped with a single boiler powered with 4 – 6 kw, (depending on the 2 or 3 groups versions) while maintaining excellent temperature stability and autonomous control of each group.

Energy efficiency means low environmental impact and a step towards safeguarding the planet, ensuring service quality and versatility at the same time.

#### LCA\* ANALYSIS:



environmental impact compared to Aurelia Wave Digit

\*Life Cycle Assessment is a structured and standardized method used worldwide that quantifies the potential impacts on the environment and human health associated with the use of a product, starting with respecting resources and emissions.



DESIGNED TO LAST AND WORK HARD

## When solidity meets design.

➤ Nuova Simonelli is famous for steadiness and robustness. The new AURELIA WAVE UX matches constructive solidity with attention to detail.

We made a bold choice of color with the new iconic Titan Grey, to more powerfully communicate the proverbial solidity of any Nuova Simonelli machine, combining aesthetic appeal with durability.

The shining and embossed logo on the back adds the final touch.





# Simplified technology means greater efficiency and less maintenance.

AURELIA WAVE UX has a warm technological heart,  
which meets all the needs for performance and consistency.

- > We simplified the AURELIA WAVE UX heating system to ensure the same high performance in terms of productivity and consistency.

We've also reduced maintenance time because of its great accessibility and its longlasting components.



Perform,  
excel,  
simplify.  
Optimize.

> AURELIA WAVE UX is the workflow optimizer.

Nothing is left to chance. Everything is designed to monitor each step of the service process and management.

Nuova Simonelli's tradition of reliability adds a new stage to the journey it is on with its clients.

Working in a coffee chain has never been so simple.





RAIL FOR CUPS

PUSH & PULL LEVERS

TOUCH SCREEN

**INDEPENDENT TEMPERATURE SETTING**

Once the temperature has been set on each group, the operator's work is automated: the machine manages all the rest, ensuring steady temperature right to the end of the process.

ITS

COOL TOUCH STEAM WAND

HOT WATER WAND

REVERSE MIRROR

ERGONOMICS

Everything is within reach. AURELIA WAVE UX is designed around the barista and his/her movements. And the touch screen display makes control even easier.

EASY CREAM

This technology allows multiple milk recipes simultaneously, speed and fluidity of service with two settings for each wand and two milk wands mounted on the machine.

**CONSISTENCY**

Whoever is the operator on duty, consistency of service is always ensured. Once the recipe parameters have been set the service goes smoothly and without complications.

**EASE OF USE**

High-performance technology made simple for the operator, intuitive programming. Logic. Simple to teach. Simple to learn.

**LOWER IMPACT**

A single 6kW boiler is enough to ensure legendary days of service, offering cost savings along with lower environmental impact.

**AURELIA WAVE UX**



# UX

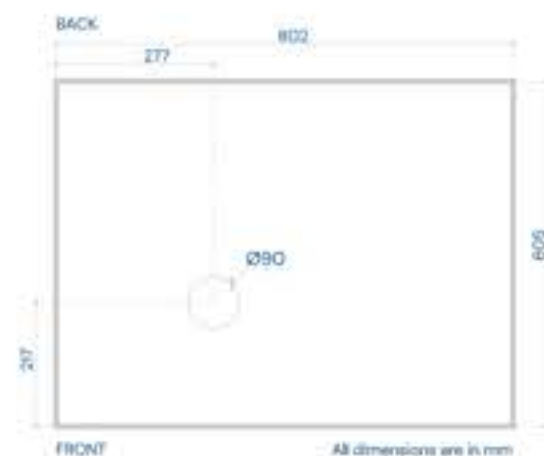


TITAN GREY

## > AURELIA WAVE 2 GROUPS:

Technical specifications, colors and dimensions.

VERSION		VOLUMETRIC	SEMI-AUTOMATIC	UX
MODEL		<b>2 GROUPS</b>	<b>2 GROUPS</b>	<b>2 GROUPS</b>
BODY	Material	stainless steel with ABS	stainless steel with ABS	stainless steel with ABS
	Color	○ ● ● ●	○ ● ● ●	○ ● ● ● ●
BOILER	Total capacity	140	140	140
	Insulation	Included	Included	Included
	Pressurestat	manual	manual	digital
GROUP	Raised groups	optional	optional	optional
	Led lights	optional	optional	optional
STEAM	Easycream	optional	optional	optional
	Cool touch steam wand	optional	optional	optional
HOT WATER	N. wand	1	1	1
	Economizer	Included	Included	Included
	Hot water dosage	3	3	3
	Temperature control	optional	optional	optional
CUP WARMER	On/off electric	optional	optional	optional
AUTOPURGE				Included
PULSE JET				optional
ELECTRONIC	Display	TFT		touch
	Automatic clinic program	Included	Included	Included
	Group temperature			Included
	Telemetry Kit	optional	optional	Included
DIMENSION	W x D x H mm	802 x 605 x 537	802 x 605 x 537	802 x 605 x 537
WEIGHT	Net/Drw Kg	76/84	76/84	79
POWER	Voltage	220-240 V 50-60Hz	220-240 V 50-60Hz	220-240 V 50-60Hz
	Maximum power	5100	5100	5300



## > AURELIA WAVE 3 GROUPS:

Technical specifications, colors and dimensions.

VERSION		VOLUMETRIC	SEMI-AUTOMATIC	UX
MODEL		<b>3 GROUPS</b>	<b>3 GROUPS</b>	<b>3 GROUPS</b>
BODY	Material	stainless steel with ABS	stainless steel with ABS	stainless steel with ABS
	Color	○ ● ● ●	○ ● ● ●	○ ● ● ● ●
BOILER	Total capacity	170	170	170
	Insulation	Included	Included	Included
	Pressurestat	manual	manual	digital
GROUP	Raised groups	optional	optional	optional
	Led lights	optional	optional	optional
STEAM	Easycream	optional	optional	optional
	Cool touch steam wand	optional	optional	optional
HOT WATER	N. wand	1	1	1
	Economizer	Included	Included	Included
	Hot water dosage	3	3	3
	Temperature control	optional	optional	optional
CUP WARMER	On/off electric	optional	optional	optional
AUTOPURGE				Included
PULSE JET				optional
ELECTRONIC	Display	TFT		touch
	Automatic clinic program	Included	Included	Included
	Group temperature			Included
	Telemetry Kit	optional	optional	Included
DIMENSION	W x D x H mm	1032 x 605 x 537	1032 x 605 x 537	1032 x 605 x 537
WEIGHT	Net/Drw Kg	82/102	82/102	84
POWER	Voltage	220-240 V 50-60Hz	220-240 V 50-60Hz	220-240 V 50-60Hz
	Maximum power	5800	5900	6300



# UX



TITAN GREY

AURELIA WAVE 

 **nuova  
SIMONELLI**  
The coffee machines you can trust.

> [nuovasimonelli.it/aureliawaveux](https://nuovasimonelli.it/aureliawaveux)

 Nuova Simonelli

 @nuovasimonellofficial

nuovasimonelli.com

# AURELIA WAVE LX





VA MACHINERY

 **nuova  
SIMONELLI®**

# OSCAR II 1 GROUP

## **Minimum machine. Maximum performance.**

The Oscar II much like its predecessor has been built around the idea of bringing professional quality espresso into the home. It hosts a number of new features that further push the limits of what an affordable home espresso machine can do.

### KEY STATISTICS

**Number of groups:** 1    **Power (watts):** 1200    **Boiler Size (litres):** 2

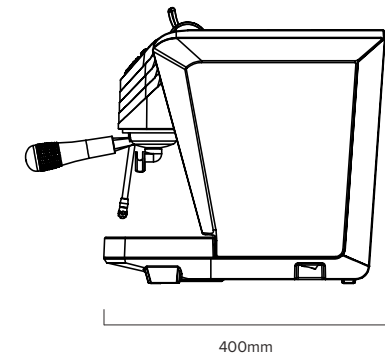
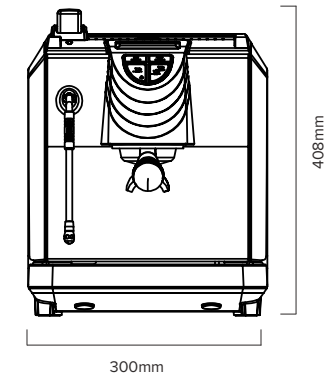


**Minimum machine. Maximum performance**

- Oscar II is a high-performance machine, with professional components such as the 58mm portafilter, the temperature compensated group and the high productivity steam wand. Technical and ergonomic features such as with the push and pull steam lever and the soft-touch backlit control panel, makes it simple and easy to use.
- This model includes the 'Professional Pack' which adds an Over Pressure Valve (OPV) and a pressure stat for the best possible espresso extraction.
- Just 32 cm wide and thanks to the stainless-steel body, Oscar II is suitable for all small spaces such as in a kitchen, a coffee corner, an office or a Bed & Breakfast. Oscar II is supplied with an internal water tank which makes it a convenient plug-and-play machine.
- The dispenser group is thermal compensated and enables consistent and high-quality extractions. The timed programming guarantees consistent results.
- The temperature stability of Oscar II is obtained by the system that features heat exchangers inside the boiler. This also provides a high steam capacity for making quality micro foam.
- **Key features:** Commercial grade components, 58mm portafilter, upgraded professional pack, compact footprint and low profile to fit under kitchen cupboards or small serving areas.

## SPECIFICATIONS

Water connection	This machine is tank fill, we recommend to always use filtered water.
Waste	No mains waste is required for the drip tray
Power (watts)	1200
Boiler size (litres)	2
Power requirements	1 x 230Vac 13A standard 3-pin socket
Breaker	B
Weight (kg)	13
Dimensions w x d x h (mm)	300 x 400 x 408



## RECOMMENDED PRODUCTS



**MDH  
GRINDER**







VA MACHINERY

 **nuova  
SIMONELLI®**

# MUSICA LUX 1 GROUP

**Elegance meets quality.**


Purposefully designed for smaller premises that strive for perfection, the Musica is a high-performance machine with built in professional components.

## KEY STATISTICS

**Number of groups:** 1    **Power (watts):** 1200    **Boiler Size (litres):** 2

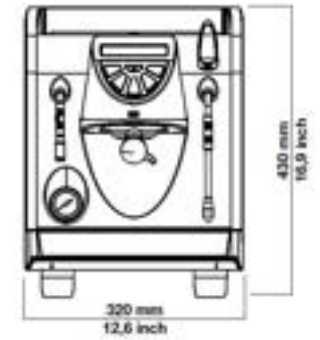


**Elegance meets quality.**

- Musica is a high-performance machine with professional components such as the 58mm portafilter, a high-quality copper boiler that is heat insulated for the best energy efficiency, the temperature compensated group and high productivity steam wand.
- The elegant button pad with backlit soft-touch buttons (with brightness adjustment) is an intuitive instrument panel with indicator lights (no water and heating element on). The volumetric dosing system can store up to three different dose settings.
- The hardwearing stainless steel  an elegant and compact design.
- The original lit edges (from tiny LEDs with low power inputs) on this “LUX” version gives Musica a note of original refinement.
- This model includes the ‘Professional Pack’ which adds an Over Pressure Vale (OPV) and a pressure stat for the best possible espresso extraction.
- **Key features:** High steam production, soundproofed pump, insulated boiler with heat exchanger.

## SPECIFICATIONS

Water connection	This machine is tank fill, we recommend to always use filtered water.
Waste	No mains waste is required for the drip tray
Power (watts)	1200
Boiler size (litres)	2
Power requirements	1 x 230Vac 13A standard 3-pin socket
Breaker	B
Weight (kg)	20
Dimensions w x d x h (mm)	320 x 400 x 430



## RECOMMENDED PRODUCTS

**MDH  
GRINDER**